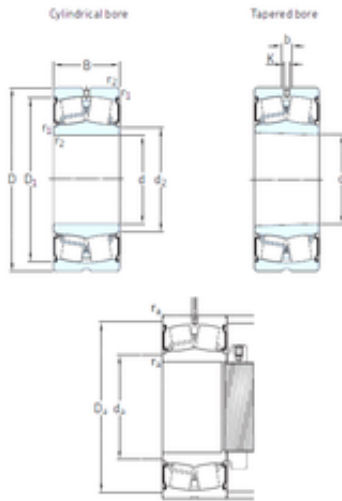




NSK BEARING CORP.OF AMERICA



SKF BS2-2206-2CS/VT143 spherical roller bearings

Bearing No. BS2-2206-2CS/VT143

Size	30x62x25 mm
Bore Diameter	30 mm
Outer Diameter	62 mm
Width	25 mm
d	30 mm
D	62 mm
B	25 mm
C	25 mm
b	3,7 mm
d2	36,2 mm
r1 min.	1 mm
r2 min.	1 mm
D1	55,7 mm
K	2 mm
da min.	35,6 mm
da max	36 mm
Da max.	56,4 mm
ra max.	1 mm
Weight	0,34 Kg
Basic dynamic load rating (C)	64 kN
Basic static load rating (C0)	60 kN
Fatigue load limit (Pu)	6,4
Limiting speed	2800 r/min
Calculation factor (e)	0,31
Calculation factor (Y0)	2,2

BS2-2206-2CS/VT143 Bearing 2D drawings and 3D CAD models



NSK BEARING CORP.OF AMERICA

Calculation factor (Y1)	2,2
-------------------------	-----