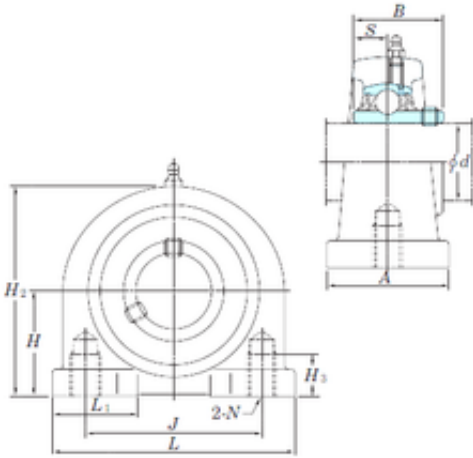




# NSK BEARING CORP.OF AMERICA

## KOYO UCPA205-16 bearing units

Bearing No. UCPA205-16



UCPA205-16 Bearing 2D drawings and 3D CAD models

Bore Diameter	25,4 mm
Width	34,1 mm
d	25,4 mm
H3	13 mm
A	45 mm
B	34,1 mm
H	36,5 mm
H2	71 mm
J	56 mm
L	84 mm
L1	30 mm
S	14,3 mm
Bolt (G)	M10 × 1,5
Weight	0,83 Kg
Basic dynamic load rating (C)	14 kN
Basic static load rating (C0)	7,85 kN